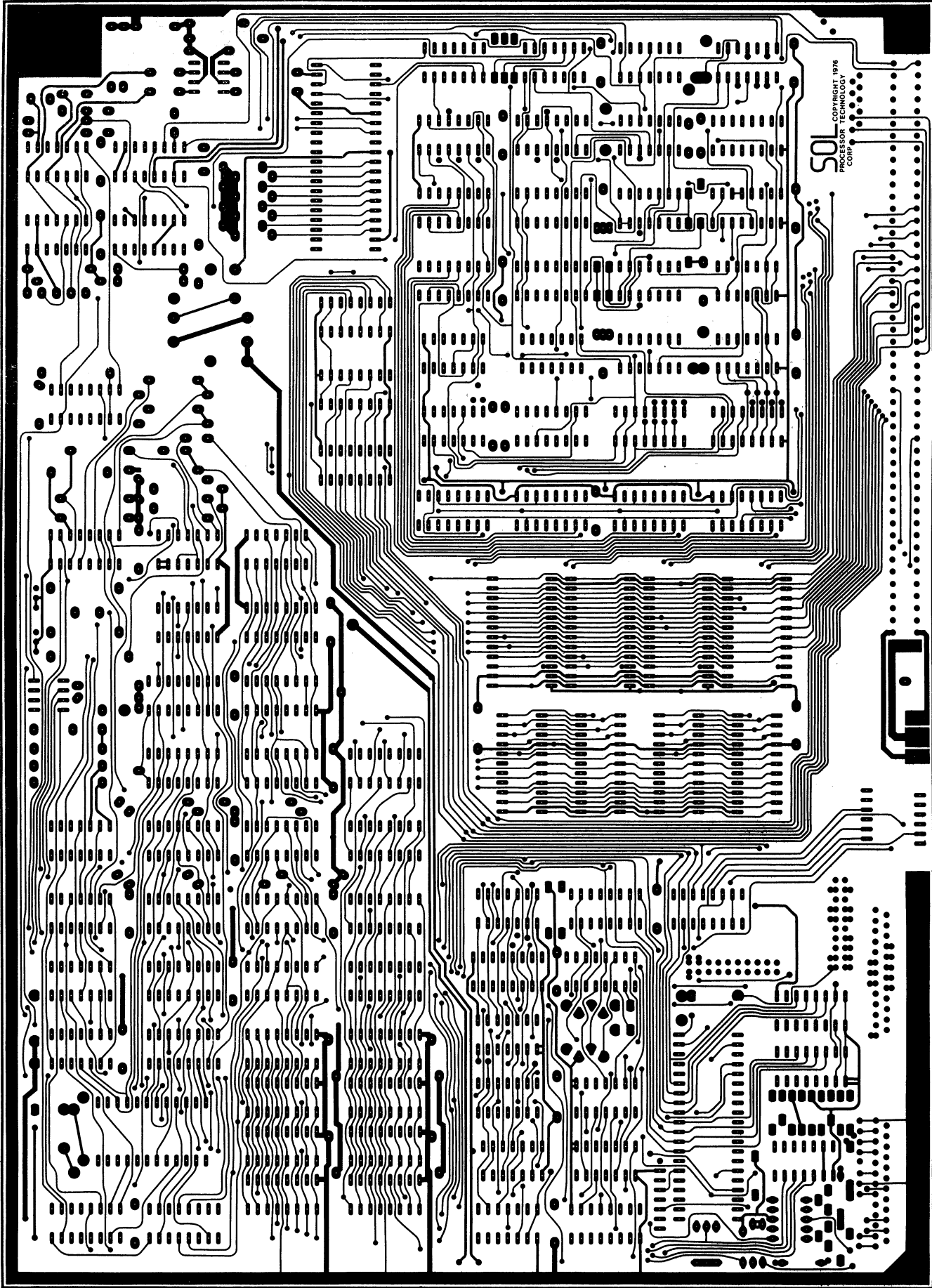


501
 S01
 COPYRIGHT 1976
 ANDERSON
 TECHNOLOGY
 CORP.



S01
COPYRIGHT 1976
PROCESSOR TECHNOLOGY
CORP.

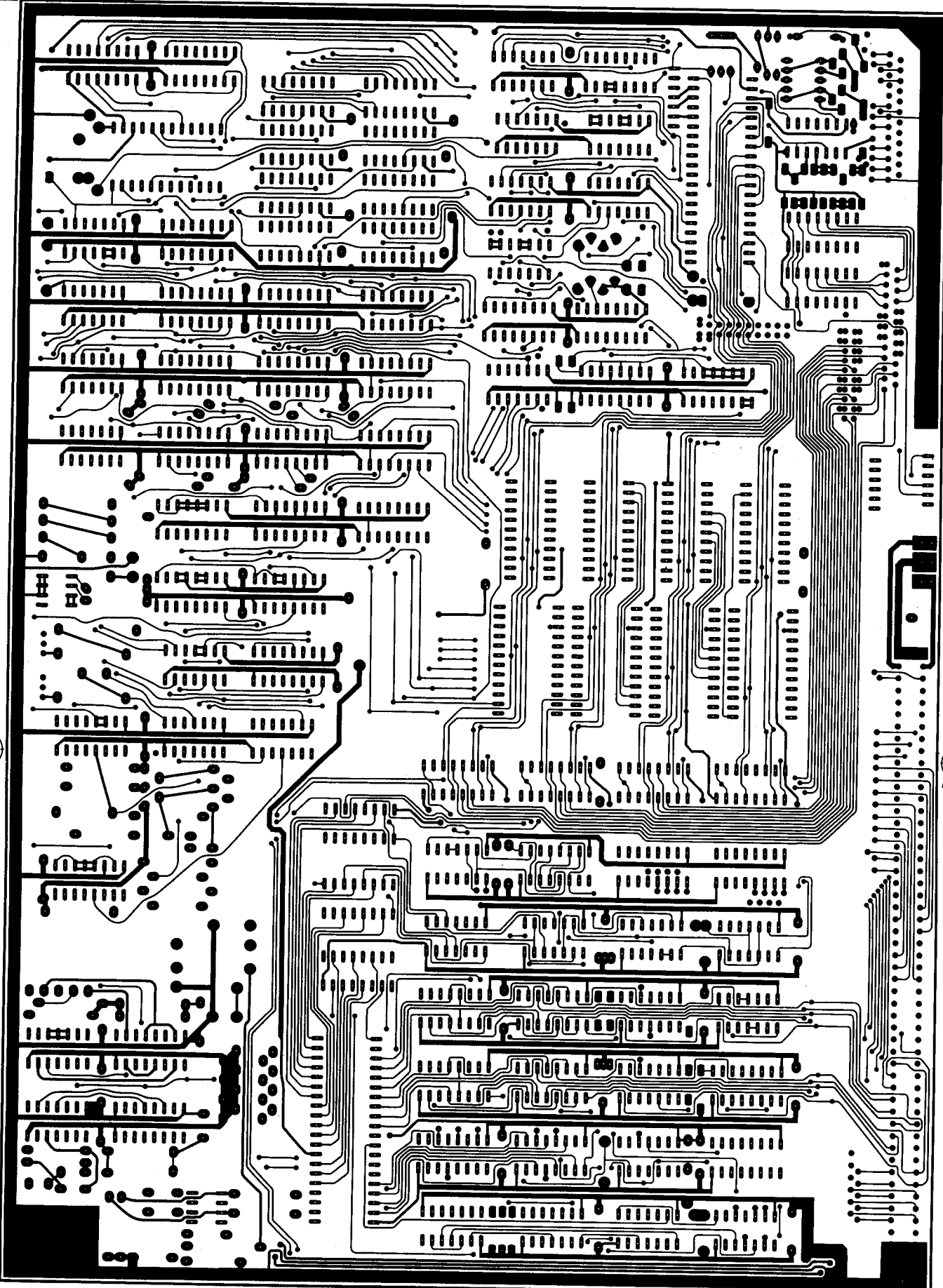


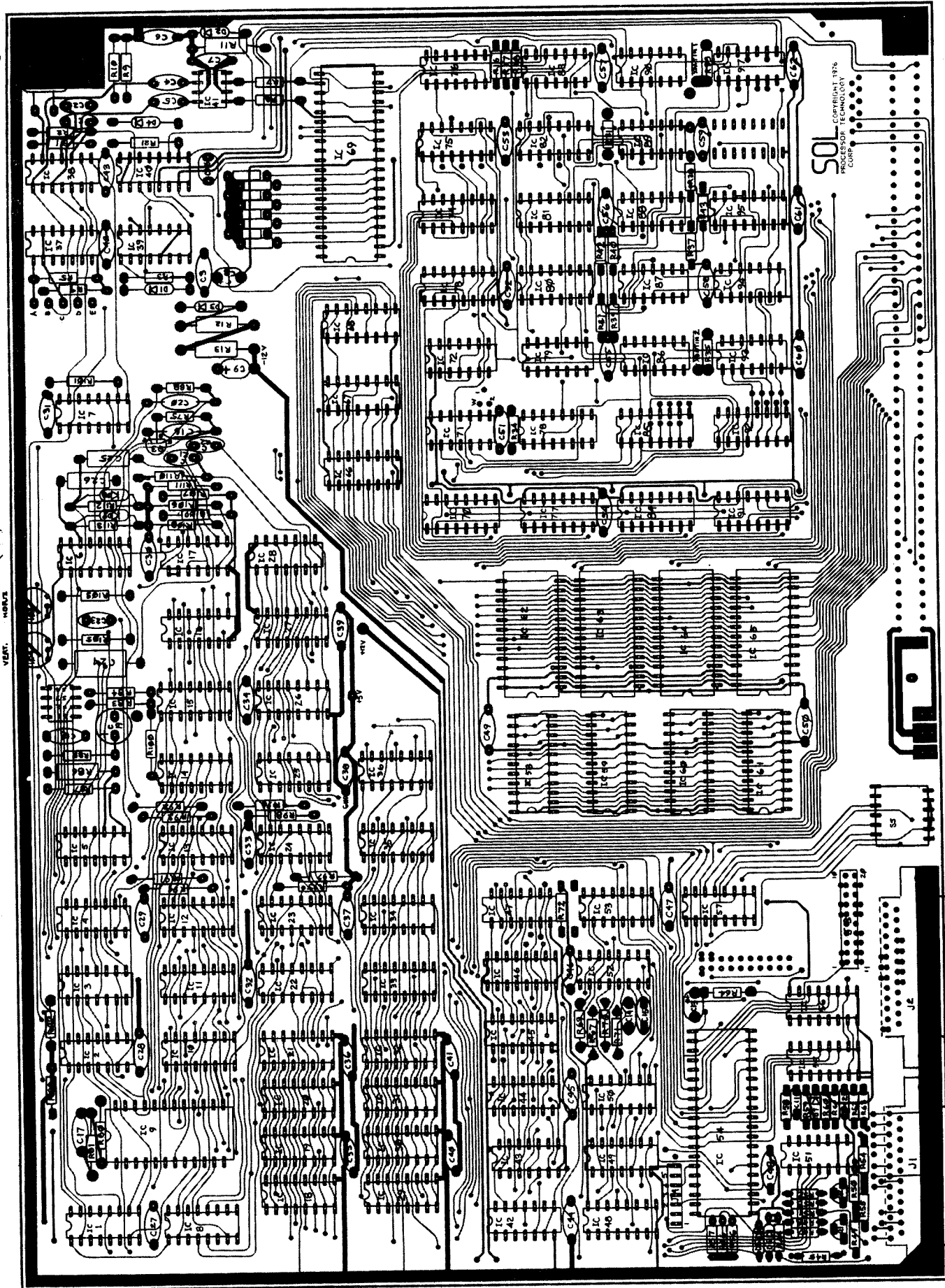
TOP



13.25

BOTTOM



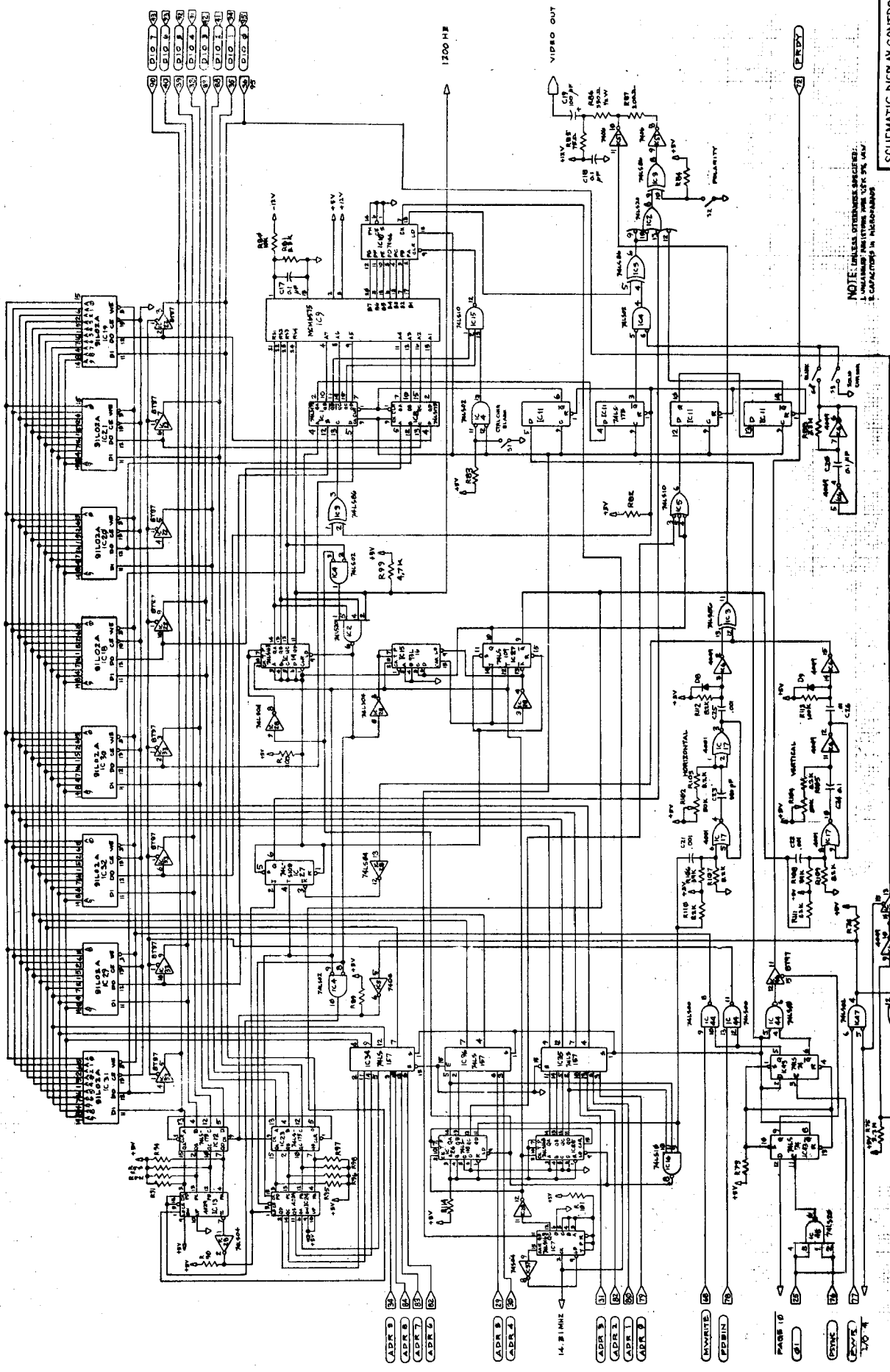


501
COMPONENT LOCATION DIAGRAM
SOL - I

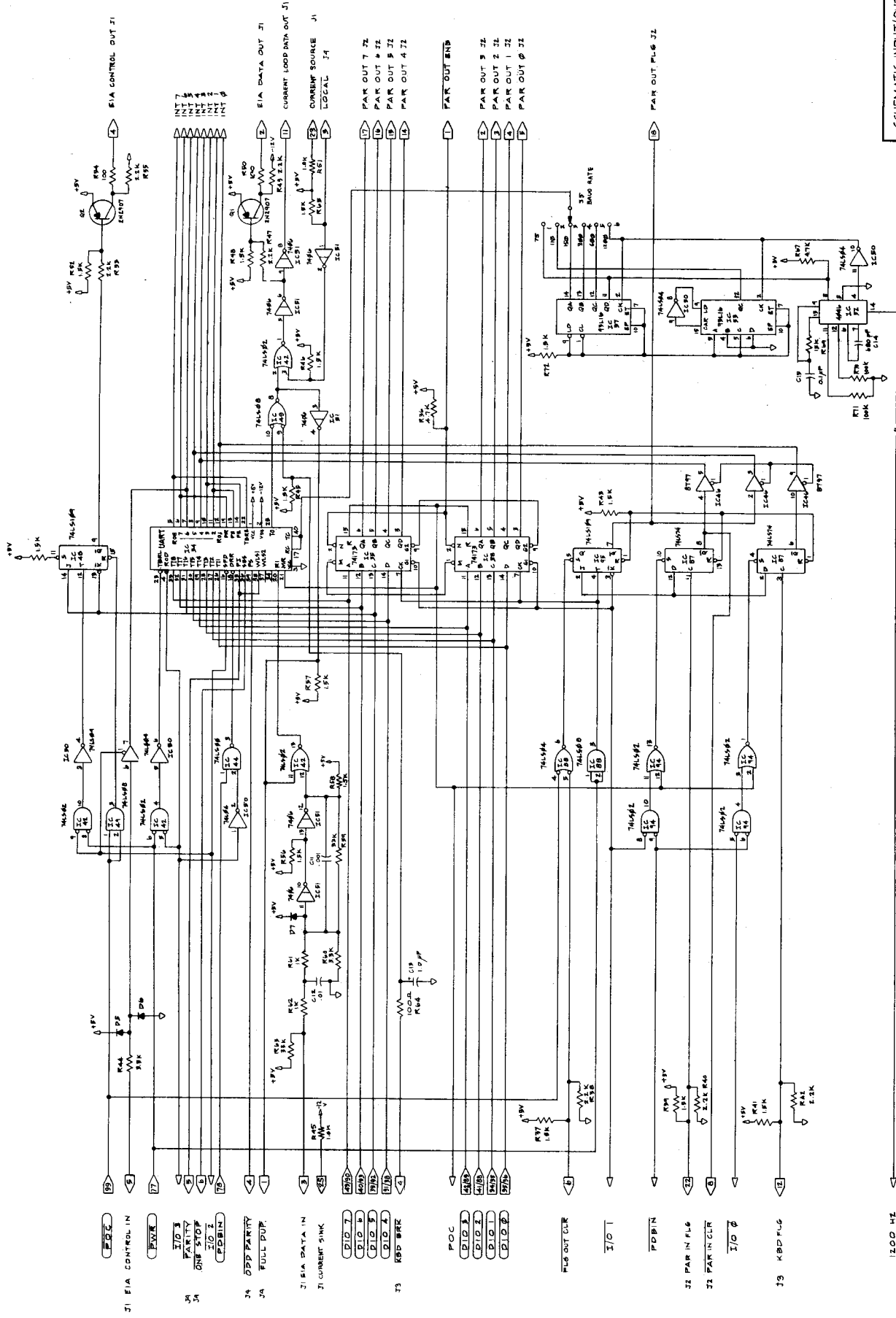
COMPONENT LOCATION DIAGRAM Sol - I

TOP

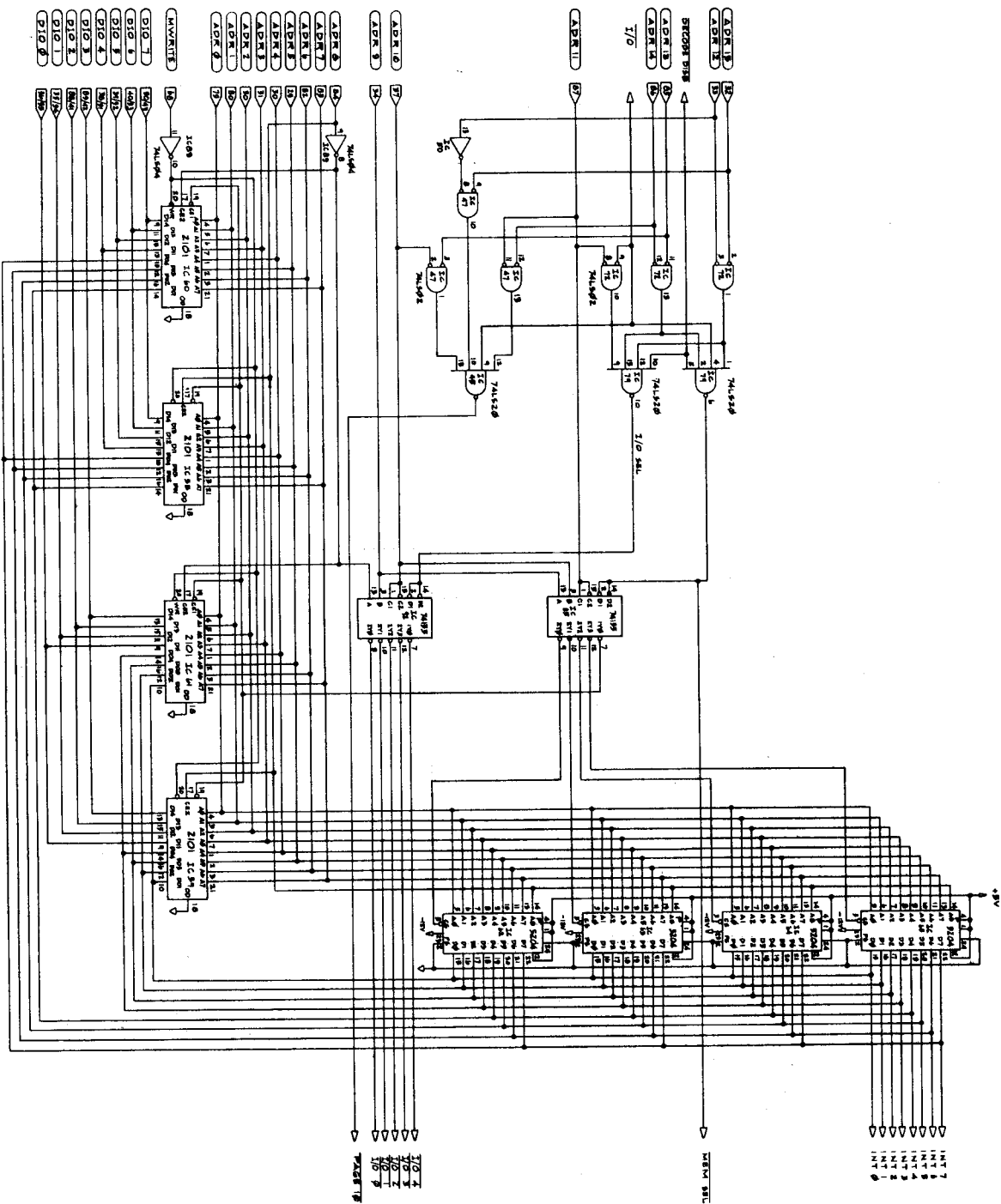
VERT. NORTH



NOTE: UNLESS OTHERWISE SPECIFIED:
 1. UNITS ARE IN MICROSECONDS
 2. CAPACITORS IN MICROFARADS



SCHEMATIC INPUT/OUTPUT, Sol-I	
DESIGNED BY	ROBERT H. MARSH
DATE	5-24-79
PROCESSOR TECHNOLOGY	



SCHEMATIC MEMORY, 501 - I
 ROBERT M. MARSH
 PROCESSOR TECHNOLOGY
 1970